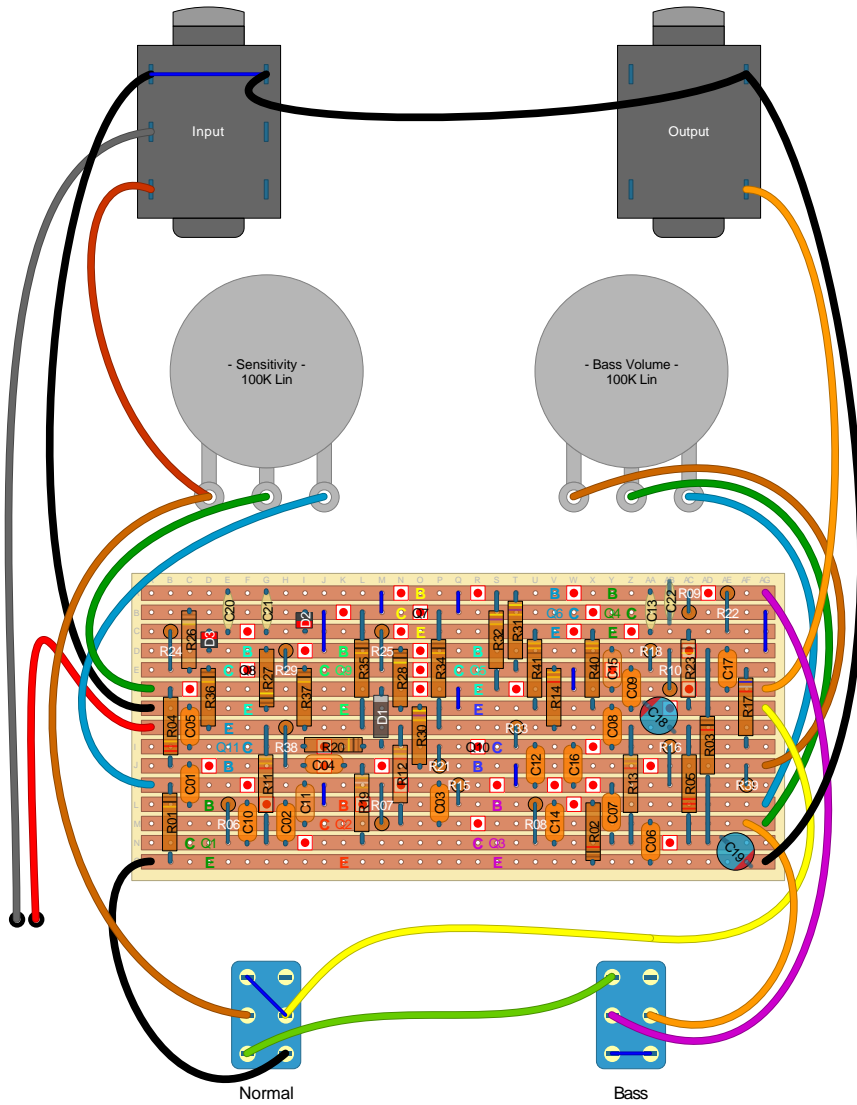


# Colorsound - Octivider

www.turretboard.org



- Bass Volume -	100K Lin	C19	22uF	R02	1K	R23	100K
- Sensitivity -	100K Lin	C20	100pF	R03	1K	R24	100K
0.1" pitch stripboard		C21	100pF	R04	22K	R25	100K
C01	100nF	C22	100pF	R05	2.2K	R26	100K
C02	100nF	D1	1N4148	R06	470K	R27	100K
C03	100nF	D2	1N4148	R07	470K	R28	100K
C04	100nF	D3	1N4148	R08	470K	R29	100K
C05	100nF	Input	1/4 Jack Stereo	R09	470K	R30	47K
C06	100nF	Output	1/4 Jack Mono	R10	470K	R31	47K
C07	100nF	Q-01	BC184L	R11	3.3K	R32	47K
C08	100nF	Q-02	BC184L	R12	3.3K	R33	10K
C09	100nF	Q-03	BC184L	R13	3.3K	R34	10K
C10	6.8nF	Q-04	BC184L	R14	3.3K	R35	10K
C11	6.8nF	Q-05	BC184L	R15	6.8K	R36	10K
C12	6.8nF	Q-06	BC184L	R16	6.8K	R37	10K
C13	10nF	Q-07	BC184L	R17	6.8K	R38	10K
C14	1nF	Q-08	BC184L	R18	6.8K	R39	220K
C15	1nF	Q-09	BC184L	R19	39K	R40	330R
C16	220nF	Q-10	BC184L	R20	100K	R41	330R
C17	220nF	Q-11	BC212L	R21	100K	SW1 - Normal	DPDT
C18	100uF	R01	10K	R22	100K	SW2 - Bass	DPDT