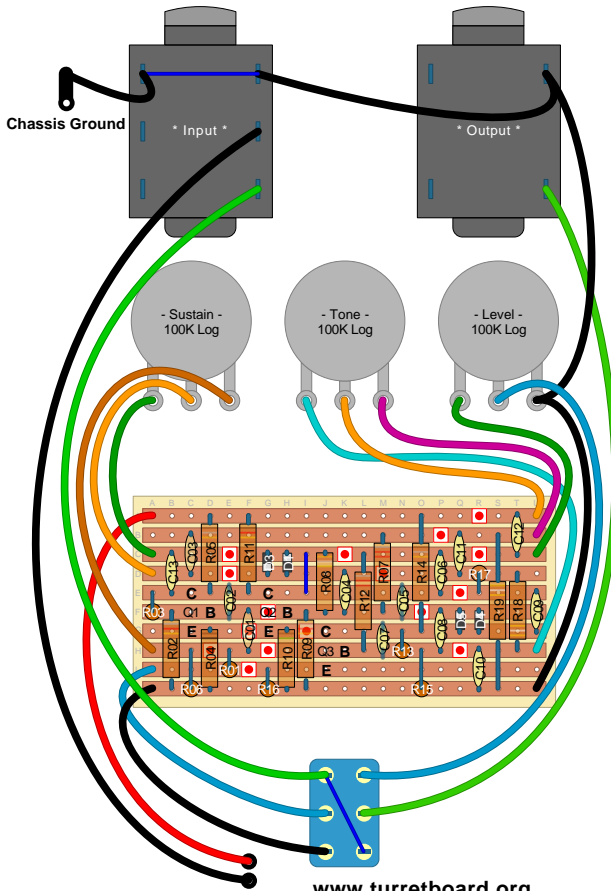


# Aria

## Super Fuzz Sustainer



[www.turretboard.org](http://www.turretboard.org)

* Input *	Jack 1/4	R01	39K
* Output *	Jack 1/4	R02	82K
- Level -	100K Log	R03	390K
- Sustain -	100K Log	R04	100R
- Tone -	100K Log	R05	18K
C01	100nF	R06	10K
C02	560pF	R07	8.2K
C03	100nF	R08	390K
C04	50nF	R09	82K
C05	560pF	R10	150R
C06	100nF	R11	12K
C07	560pF	R12	8.2K
C08	50nF	R13	390K
C09	6.8nF	R14	18K
C10	15nF	R15	82K
C11	5nF	R16	100R
C12	100nF	R17	100K
C13	100nF	R18	39K
D1	1N914	R19	39K
D3	1N914	SW1	DPDT
D4	1N914		
D5	1N914		

Veroboard 21x10