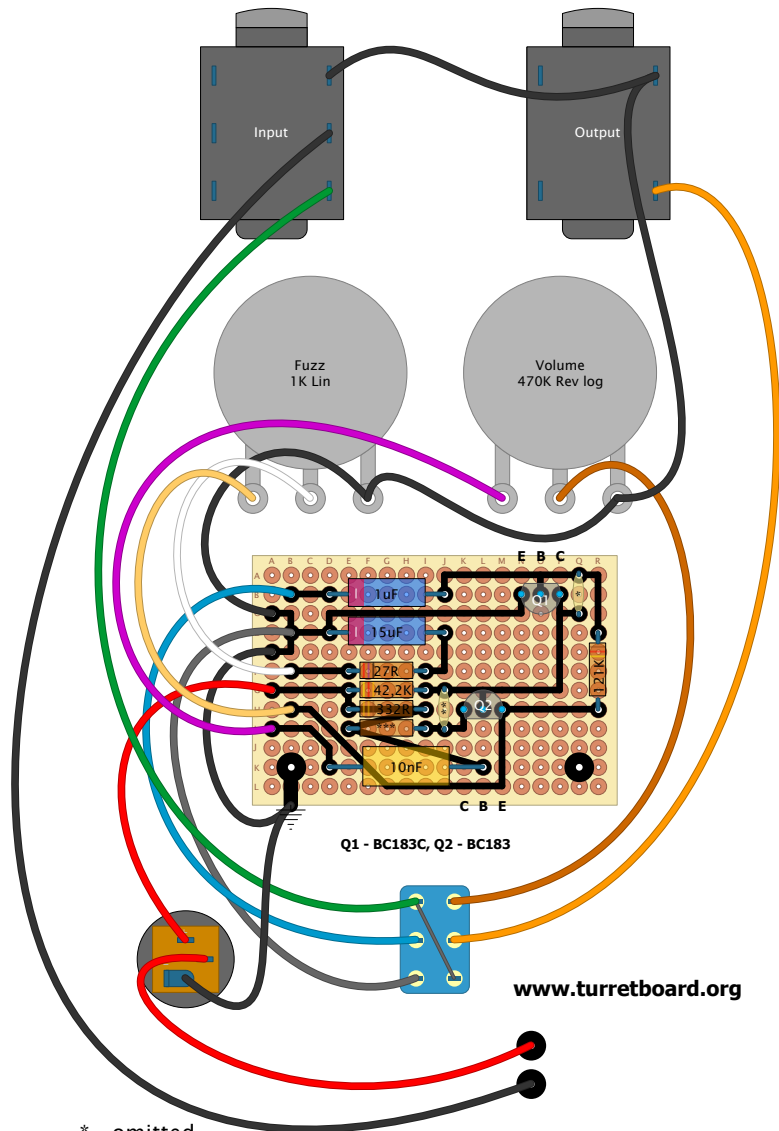


FUZZ FACE

Ed-Ed Eric Johnson



- * - omitted
- ** - low value ceramic, around of 39pF
- *** - Set bias to 3v