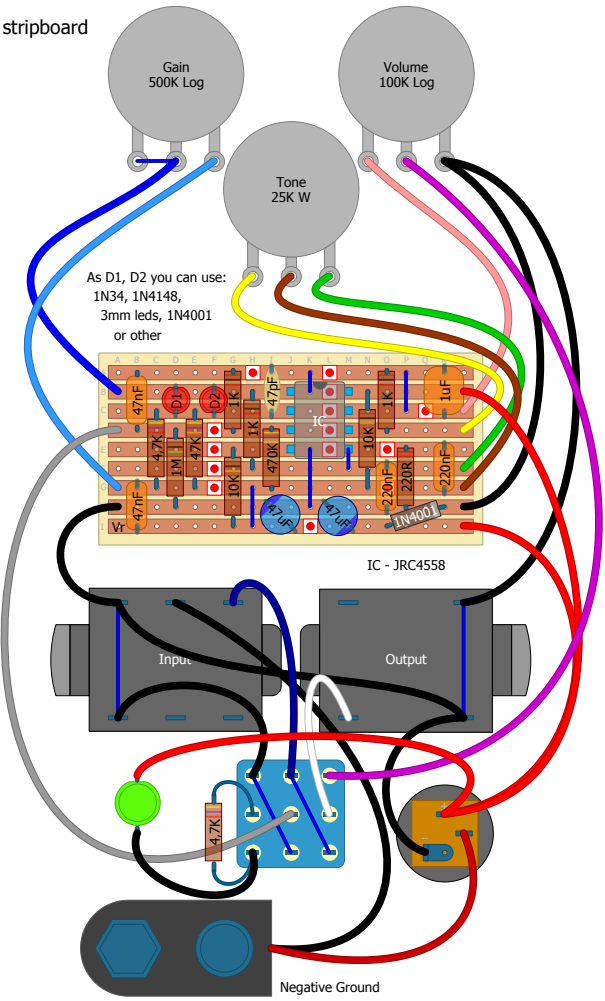


# Son Of Tube Screamer

Tube Screamer circuit without input and output buffers

19x9 stripboard



As D1, D2 you can use:  
1N34, 1N4148,  
3mm leds, 1N4001  
or other

IC - JRC4558

Negative Ground