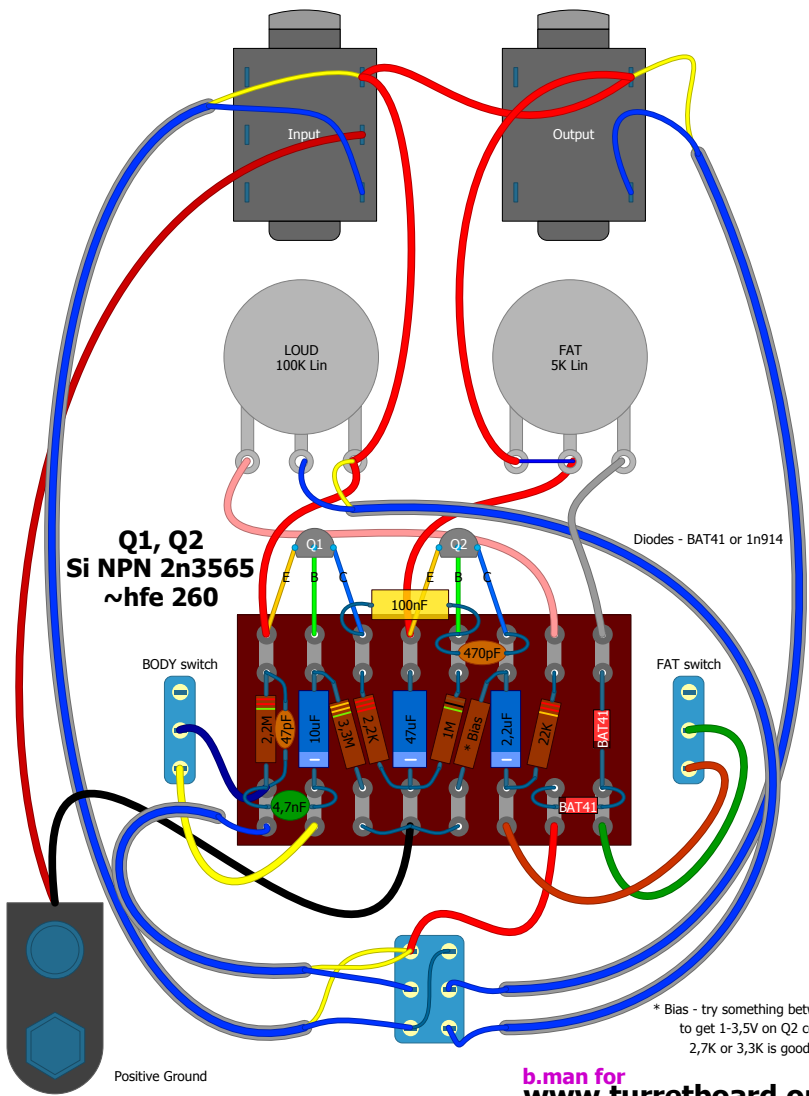


# DEADPOOL

based on Os Mutantes fuzz with madbean mods  
tagboard adaptation



Q1, Q2  
Si NPN 2n3565  
~hfe 260

Diodes - BAT41 or 1n914

BODY switch

FAT switch

Positive Ground

\* Bias - try something between 1K-6K  
to get 1-3.5V on Q2 collector  
2.7K or 3.3K is good start